

**Features**

- Uses CRM(CQ) advanced Trench MOS technology
- Extremely low on-resistance  $R_{DS(on)}$
- Excellent  $Q_g \times R_{DS(on)}$  product(FOM)
- Qualified according to JEDEC criteria

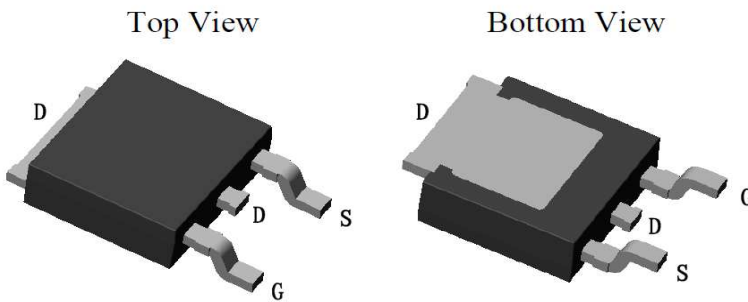
**Applications**

- Motor control and drive
- Battery management
- UPS (Uninterruptible Power Supplies)

**Product Summary**

$V_{DS}$	30V
$R_{DS(on)}$ typ.	4.3mΩ
$I_D$	58A

**100% DVDS Tested**
**100% Avalanche Tested**

**TO-252**

**Package Marking and Ordering Information**

Part #	Marking	Package	Packing	Reel Size	Tape Width	Qty
CRTD055N03L	CRTD055N03L	TO-252	Reel	N/A	N/A	2500pcs

**Absolute Maximum Ratings**

Parameter	Symbol	Value	Unit
Drain-source voltage	$V_{DS}$	30	V
Continuous drain current	$I_D$	92	A
$T_C = 25^\circ\text{C}$ (Silicon limit)		58	
$T_C = 25^\circ\text{C}$ (Package limit)		58	
$T_C = 100^\circ\text{C}$ (Silicon limit)			
Pulsed drain current ( $T_C = 25^\circ\text{C}$ , $t_p$ limited by $T_{jmax}$ )	$I_{D\ pulse}$	232	A
Avalanche energy, single pulse ( $L=0.3\text{mH}$ , $R_g=25\Omega$ )	$E_{AS}$	48	mJ
Gate-Source voltage	$V_{GS}$	$\pm 20$	V
Power dissipation ( $T_C = 25^\circ\text{C}$ )	$P_{tot}$	80	W
Operating junction and storage temperature	$T_j, T_{stg}$	-55...+150	$^\circ\text{C}$
Soldering temperature, wave soldering only allowed at leads (1.6mm from case for 10s)	$T_{sold}$	260	$^\circ\text{C}$

**Thermal Resistance**

Parameter	Symbol	Max	Unit
Thermal resistance, junction – case.	$R_{thJC}$	1.56	°C/W
Thermal resistance, junction – ambient(min. footprint)	$R_{thJA}^*$	105	

**Electrical Characteristic (at  $T_j = 25\text{ }^\circ\text{C}$ , unless otherwise specified)**

Parameter	Symbol	Value			Unit	Test Condition
		min.	typ.	max.		

**Static Characteristic**

Drain-source breakdown voltage	$BV_{DSS}$	30	-	-	V	$V_{GS}=0V, I_D=250\mu A$
Gate threshold voltage	$V_{GS(th)}$	0.8	1.3	2	V	$V_{DS}=V_{GS}, I_D=250\mu A$
Zero gate voltage drain current	$I_{DSS}$	-	0.01	1	$\mu A$	$V_{DS}=30V, V_{GS}=0V$ $T_j=25^\circ C$ $T_j=150^\circ C$
Gate-source leakage current	$I_{GSS}$	-	$\pm 5$	$\pm 100$	nA	$V_{GS}=\pm 20V, V_{DS}=0V$
Drain-source on-state resistance	$R_{DS(on)}$	-	4.3	5.5	$m\Omega$	$V_{GS}=10V, I_D=25A,$ $T_j=25^\circ C$ $T_j=150^\circ C$ $V_{GS}=4.5V, I_D=20A,$
Transconductance	$g_{fs}$	-	82	-	S	$V_{DS}=5V, I_D=25A$

**Dynamic Characteristic**

Input Capacitance	$C_{iss}$	-	2212	-	pF	$V_{GS}=0V, V_{DS}=15V,$ $f=1MHz$
Output Capacitance	$C_{oss}$	-	312	-		
Reverse Transfer Capacitance	$C_{rss}$	-	195	-		
Gate Total Charge	$Q_G$	-	47	-	nC	$V_{GS}=10V, V_{DS}=15V,$ $I_D=25A, f=1MHz$
Gate-Source charge	$Q_{gs}$	-	8	-		
Gate-Drain charge	$Q_{gd}$	-	9	-		
Turn-on delay time	$t_{d(on)}$	-	12	-	ns	$V_{GS}=10V, V_{DD}=15V,$ $R_{G\_ext}=2.7\Omega, I_D=25A$
Rise time	$t_r$	-	97	-		
Turn-off delay time	$t_{d(off)}$	-	39	-		
Fall time	$t_f$	-	107	-		
Gate resistance	$R_G$	-	1.3	-	$\Omega$	$V_{GS}=0V, V_{DS}=0V,$ $f=1MHz$

**Body Diode Characteristic**

Parameter	Symbol	Value			Unit	Test Condition
		min.	typ.	max.		
Body Diode Forward Voltage	$V_{SD}$	-	0.8	1.3	V	$V_{GS}=0V, I_{SD}=25A$
Body Diode Forward Current	$I_S$			58	A	$T_C = 25^{\circ}C$
Body Diode Reverse Recovery Time	$t_{rr}$	-	21	-	ns	$I_F=25A, dI/dt=100A/\mu s$
Body Diode Reverse Recovery Charge	$Q_{rr}$	-	14	-	nC	

\*The value of  $R_{thJA}$  is measured by placing the device in a still air box which is one cubic foot.

### Typical Performance Characteristics

Fig 1: Output Characteristics

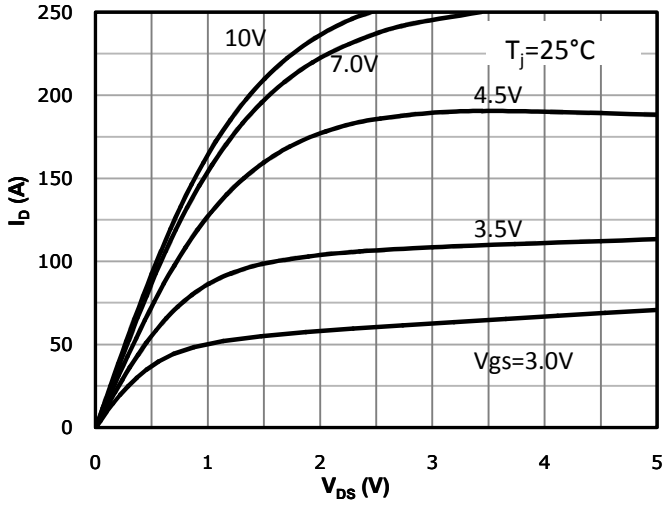


Fig 2: Transfer Characteristics

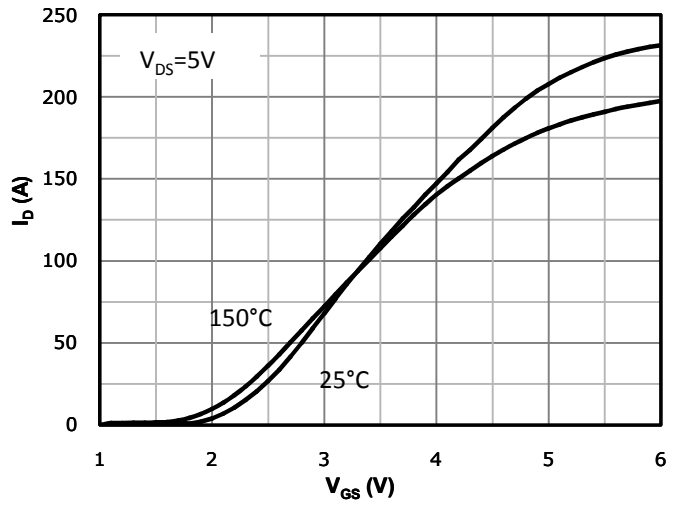


Fig 3:  $R_{DS(on)}$  vs Drain Current and Gate Voltage

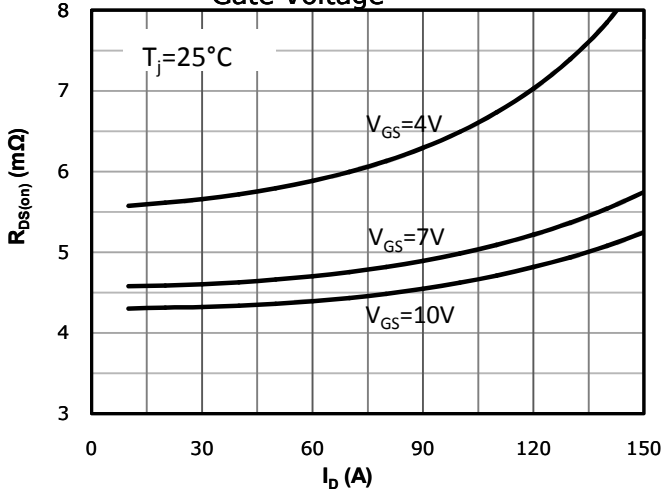


Fig 4:  $R_{DS(on)}$  vs Gate Voltage

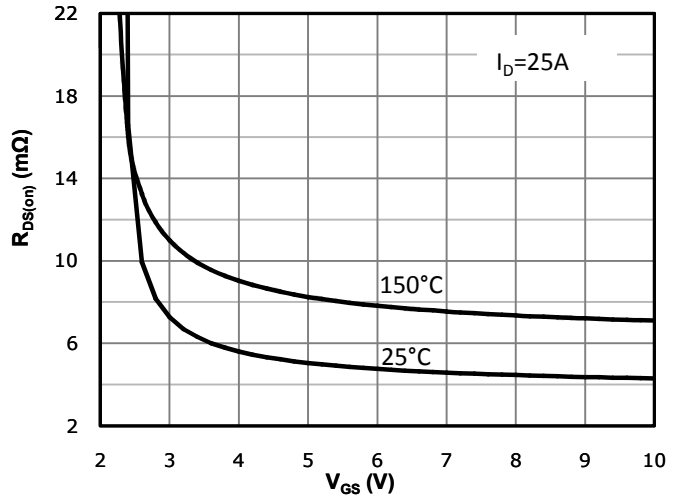


Fig 5:  $R_{DS(on)}$  vs. Temperature

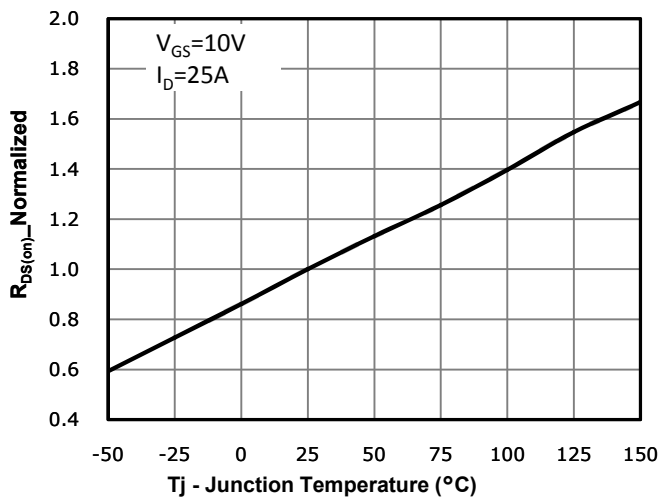


Fig 6: Capacitance Characteristics

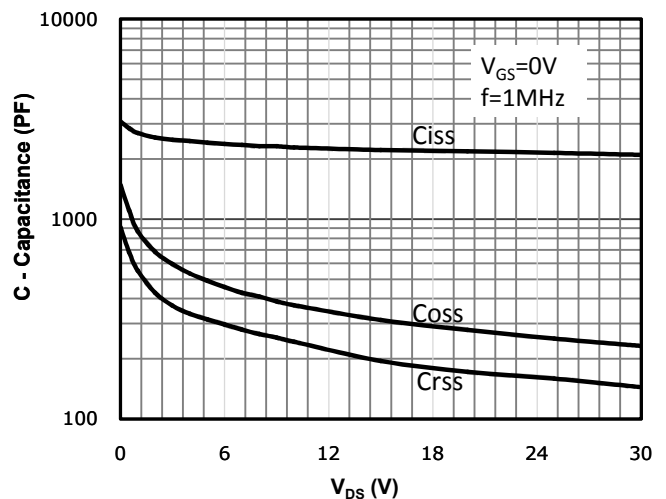


Fig 7: Gate Charge Characteristics

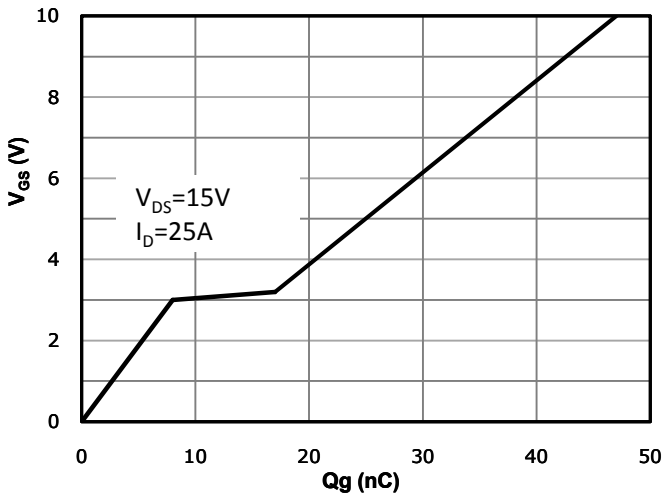


Fig 8: Body-diode Forward Characteristics

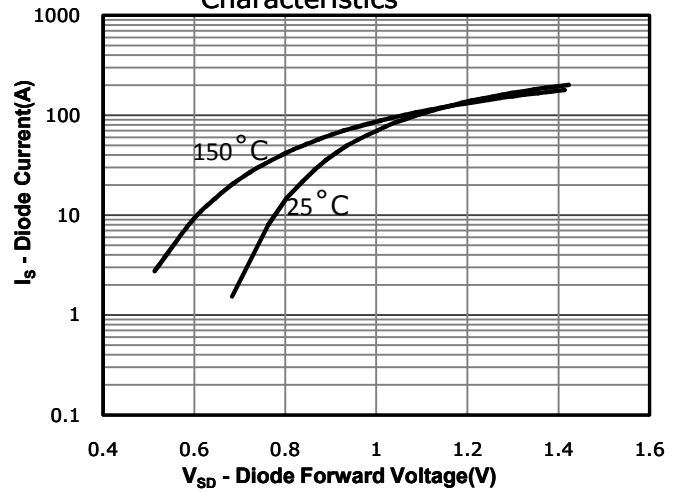


Fig 9: Power Dissipation

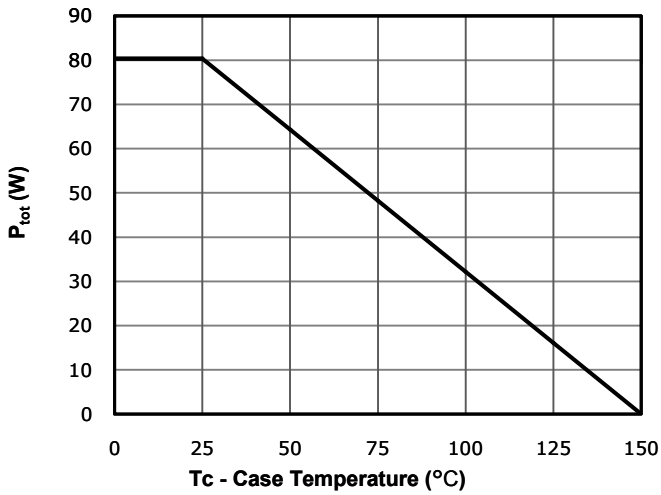


Fig 10: Drain Current Derating

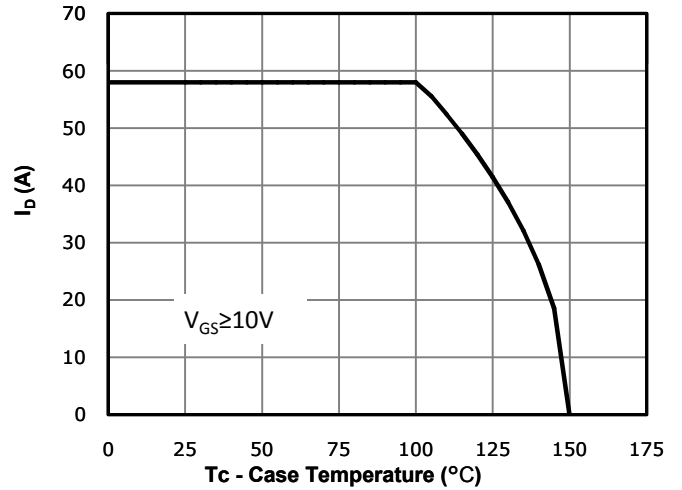


Fig 11: Safe Operating Area

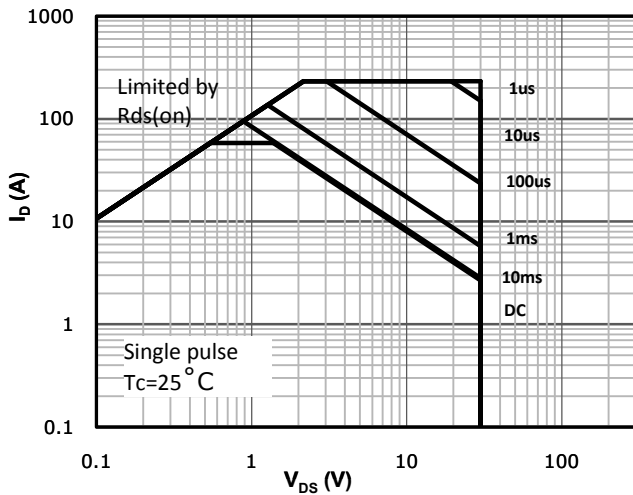
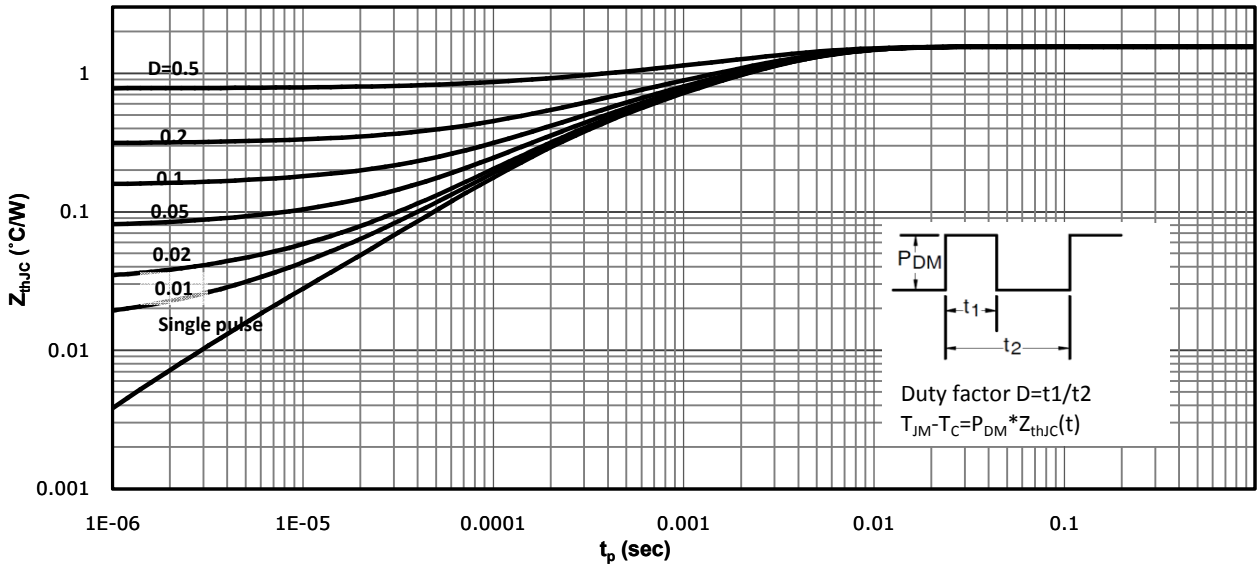
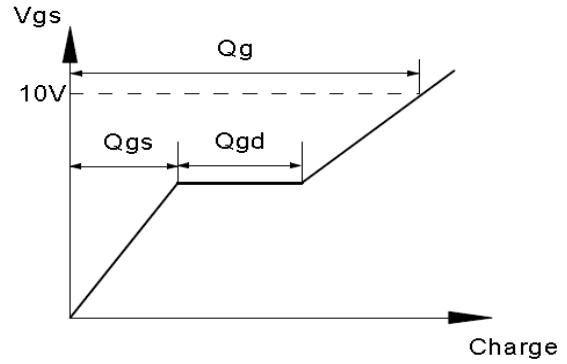


Fig 12: Max. Transient Thermal Impedance

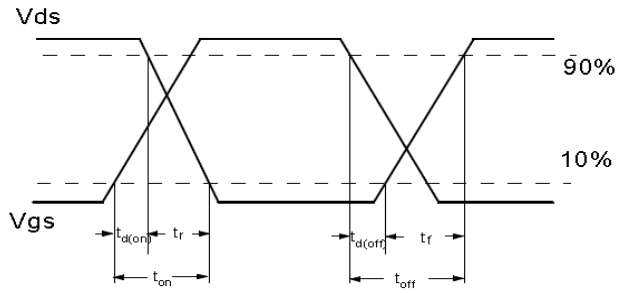
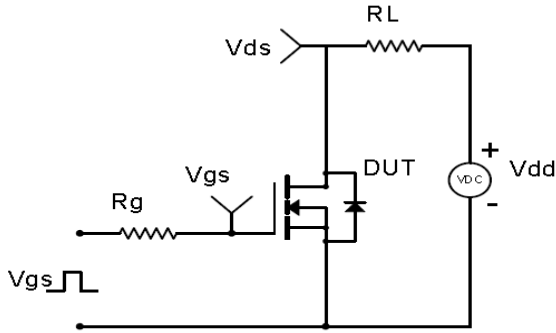


## Test Circuit & Waveform

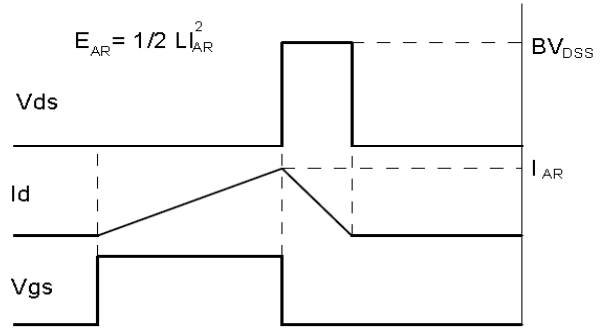
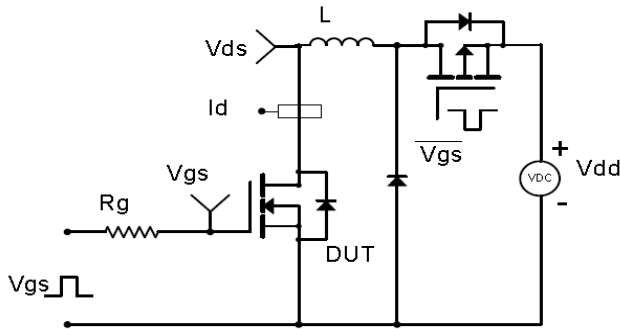
Gate Charge Test Circuit & Waveform



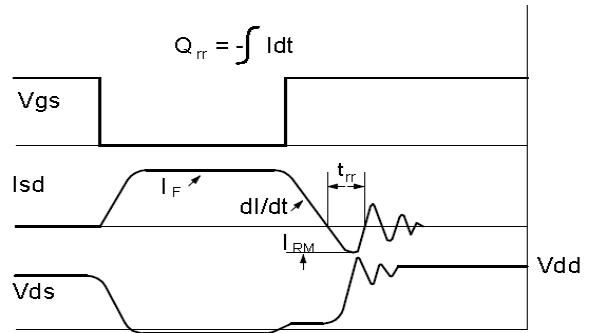
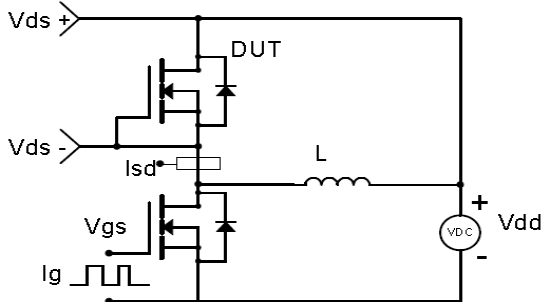
Resistive Switching Test Circuit & Waveforms

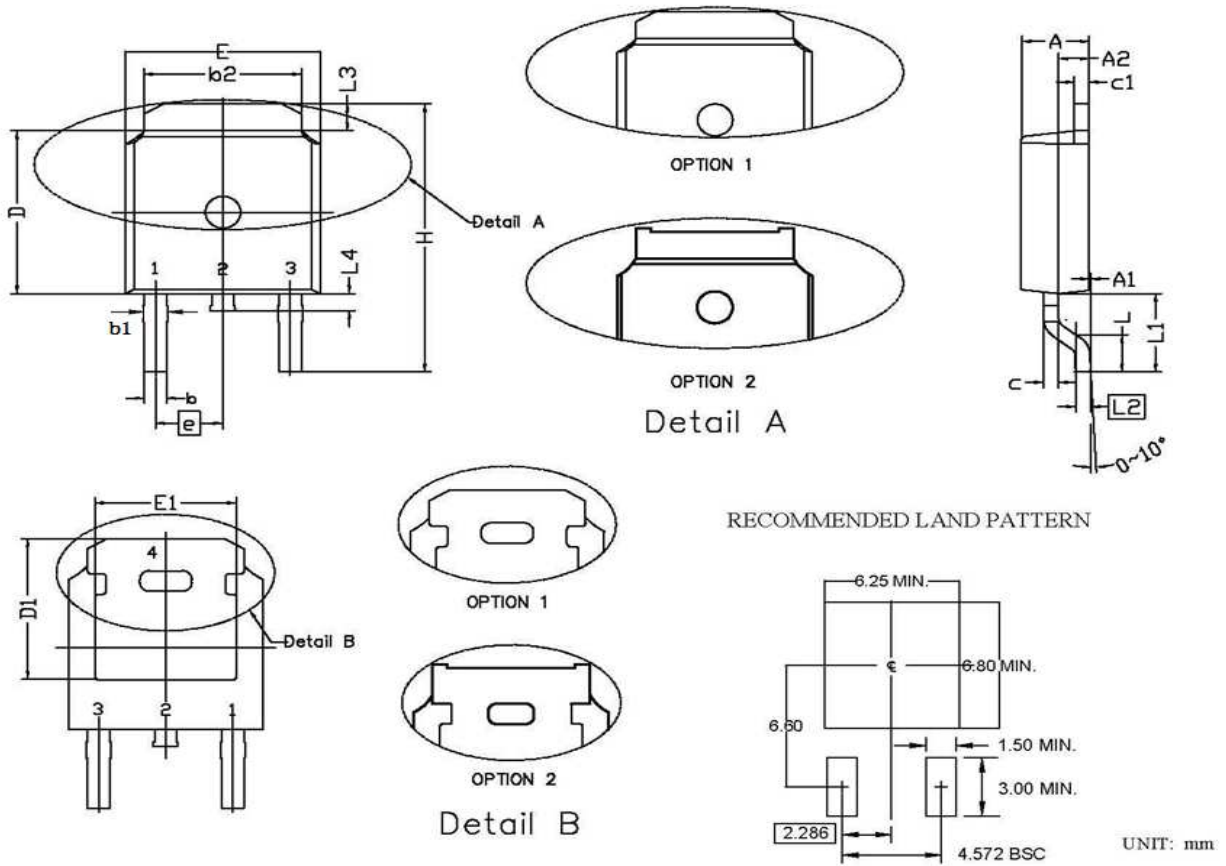


Unclamped Inductive Switching (UIS) Test Circuit & Waveforms



Diode Recovery Test Circuit & Waveforms



**Package Outline: TO-252**


Symbol	Dimensions In Millimeters		Dimensions In Inches	
	Min.	Max.	Min.	Max.
A	2.15	2.45	0.085	0.096
A1	0.00	0.15	0.000	0.006
A2	0.76	1.36	0.030	0.054
b	0.60	0.91	0.024	0.036
b1	0.65	1.15	0.026	0.045
b2	5.00	5.64	0.197	0.222
c	0.45	0.61	0.018	0.024
c1	0.36	0.66	0.014	0.026
D	5.80	6.30	0.228	0.248
D1	5.00	6.00	0.197	0.236
e	2.29 BSC.		0.090 BSC.	
E	6.30	6.90	0.248	0.272
E1	4.55	5.30	0.179	0.209
H	9.40	10.48	0.370	0.413
L	1.18	1.70	0.046	0.067
L1	2.92 REF		0.115 REF	
L2	0.36	0.66	0.014	0.026
L3	0.72	1.35	0.028	0.053
L4	0.60	1.20	0.024	0.047



## Revision History

Revision	Date	Major changes
1.0	2018/4/28	Release of formal version
2.0	2019/7/29	Increase the environmental labeling, $I_S$ , $T_{SOld}$ , $I_{GSS}$ test value at $V_{GS}=-20V$ ; Update $V_{SD}$ test current from 20A to 25A; Update Fig3/Fig4 of Typical Performance Characteristics; Update Package Outline.

## Disclaimer

Unless otherwise specified in the datasheet, the product is designed and qualified as a standard commercial product and is not intended for use in applications that require extraordinary levels of quality and reliability, such as automotive, aviation/aerospace and life-support devices or systems.

Any and all semiconductor products have certain probability to fail or malfunction, which may result in personal injury, death or property damage. Customer are solely responsible for providing adequate safe measures when design their systems.

CRM(CQ) reserves the right to improve product design, function and reliability without notice.