

Latch, Hall-Effect Magnetic position sensor

1 Product Description

The MT876X family is produced by BCD technology with both high performance and high reliability. The Hall IC internally includes an on-chip Hall voltage generator, a voltage regulator for operation with supply voltage of 2.4V to 24V, a small signal amplifier, Hall sensors with dynamic offset cancellation, a schmitt trigger and an open-drain output with over-current protection. It features temperature compensation technique to make the magnetic switching points stable over a wide temperature range. Other key features such as reverse supply voltage protection, output over-current protection and ESD level exceeding $\pm 6\text{KV}$ (HBM) make the IC extremely robust and fault tolerant, which is important in demanding application environment such as automotive. Its extremely low operating supply voltage 2.4V also makes it possible to add external resistance in series with the supply pin for even greater protection against high voltage transients from the power supply. The output will be turned on (Low) when the magnetic flux density (B) is larger than the operating point (B_{OP}), and be turned off (High) when the magnetic flux density (B) is lower than the releasing point (B_{RP}).

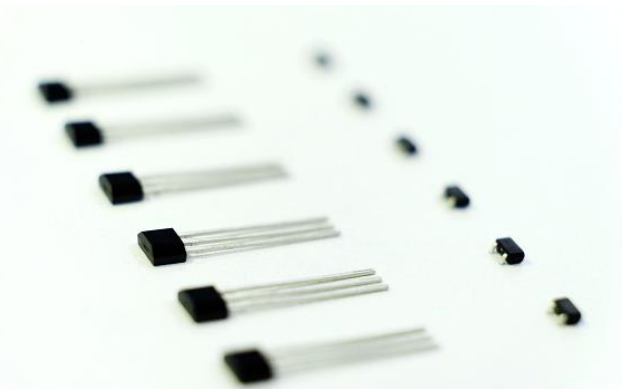
The MT876X family provides a variety of packages to customers: SOT-23 & SOT-23 thin outline for surface mount and flat TO-92 for through-hole mount. All packages are RoHS compliant.

2 Features

- BCD Technology
- 2.4 ~ 24V Operating Vcc Range
- $-40^{\circ}\text{C} \sim 150^{\circ}\text{C}$ Operating Temperature
- Package Option:
Flat TO-92 / SOT-23 / SOT-23 (Thin Outline)
- Magnetic Sensitivity Option:
MT8762 ($B_{OP}=20\text{Gs}$, $B_{RP}=-20\text{Gs}$)
MT8763 ($B_{OP}=20\text{Gs}$, $B_{RP}=-20\text{Gs}$)
- Open Drain Output
- Switching Frequency Option:
MT8762: 100KHZ / MT8763: 15KHZ
- -27V Reversed Power Supply Protection
- Output Limiting Current Protection
- RoHS Compliant: (EU)2015/863

3 Product Overview of MT876X

Part No.	Description
MT876XA	Flat TO-92, bulk packaging (1000pcs/bag)
MT876XAT	SOT-23, tape & reel (3000pcs/bag)
MT876XET	SOT-23 (thin outline), tape & reel (3000pcs/bag)



4 Applications

- Home appliances
- Industrial
- Position Detection
- Proximity Switch

5. Pin Configuration and Functions

	Vcc	Out	GND
SOT-23	1	2	3
SOT-23 Thin Outline	1	2	3
Flat TO-92	1	3	2
Description	Power	Output Open-Drain	Ground

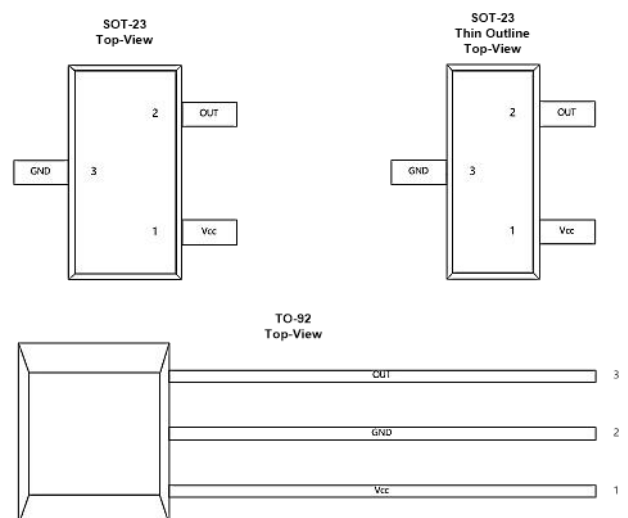


Figure.1 Pin Configuration & Functions

Table of Contents

1	Product Description.....	1
2	Features.....	1
3	Product Overview of MT876X	1
4	Applications.....	1
5	Pin Configuration and Functions.....	1
6	Definition of Switching Function.....	3
7	Function Description.....	3
8	Feature Description.....	3
9	Functional Block Diagram.....	4
10	Electrical and Magnetic Characteristics.....	4
	10.1 Absolute Maximum Ratings.....	4
	10.2 Electrical Specifications.....	5
	10.3 Magnetic Characteristics.....	5
	10.4 ESD Ratings.....	5
	10.5 Characteristic Performance.....	6
	10.6 Typical Output Waveform.....	7
11	Typical Application Circuit.....	7
12	Package Material Information.....	8
	12.1 SOT-23 Package Information.....	8
	12.2 SOT-23 Thin Outline Package Information.....	9
	12.3 Flat TO-92 Package Information.....	10
13	Copy Rights and Disclaimer.....	11

Reversion History

Rev1.0	Originally Version
Rev1.1	Add MT8763 Series
Rev1.2	Update MT8763 Supply current
Rev1.3	Update Small SOT-23 Package Outline Dimensions

6 Definition of Switching Function

Figure.2 & Figure.3 shows the device functionality and hysteresis

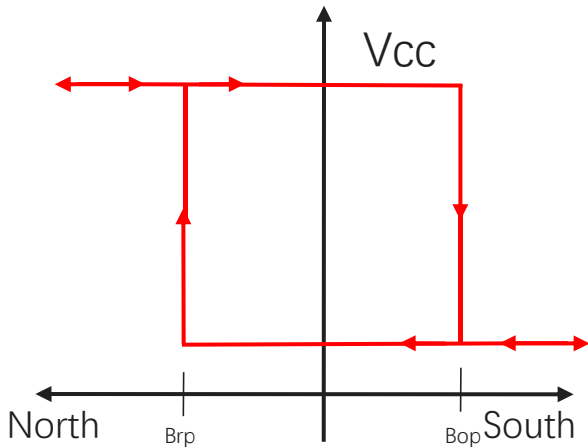


Figure.2 Switching Function of Flat TO-92 & SOT-23 (Thin outline)

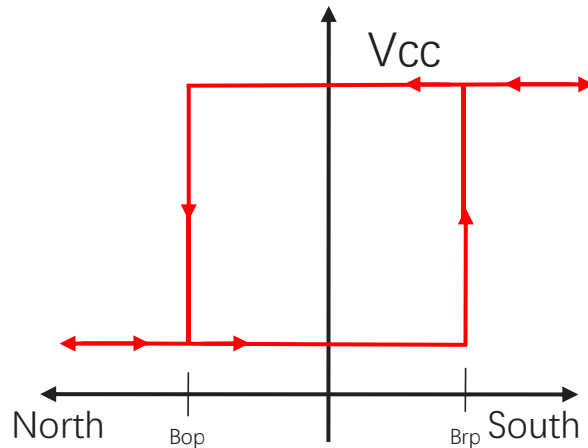


Figure.3 Switching Function of SOT-23

7 Function Description

B_{OP}: Operating Point, Magnetic flux density applied on the branded side of the package which turns the output driver ON ($V_{OUT}=Low$)

B_{RP}: Releasing Point, Magnetic flux density applied on the branded side of the package which turns the output driver OFF ($V_{OUT}=High$)

B_{HYST}: Hysteresis Window, $|B_{OP} - B_{RP}|$

Devices that have a lower magnetic threshold ($V_{OUT}=High$) detect magnets at a farther distance. Higher thresholds ($V_{OUT}=Low$) generally require a closer distance or larger magnet.

8 Feature Description

The MT876X device is sensitive to the magnetic field component that is perpendicular to the top of the package

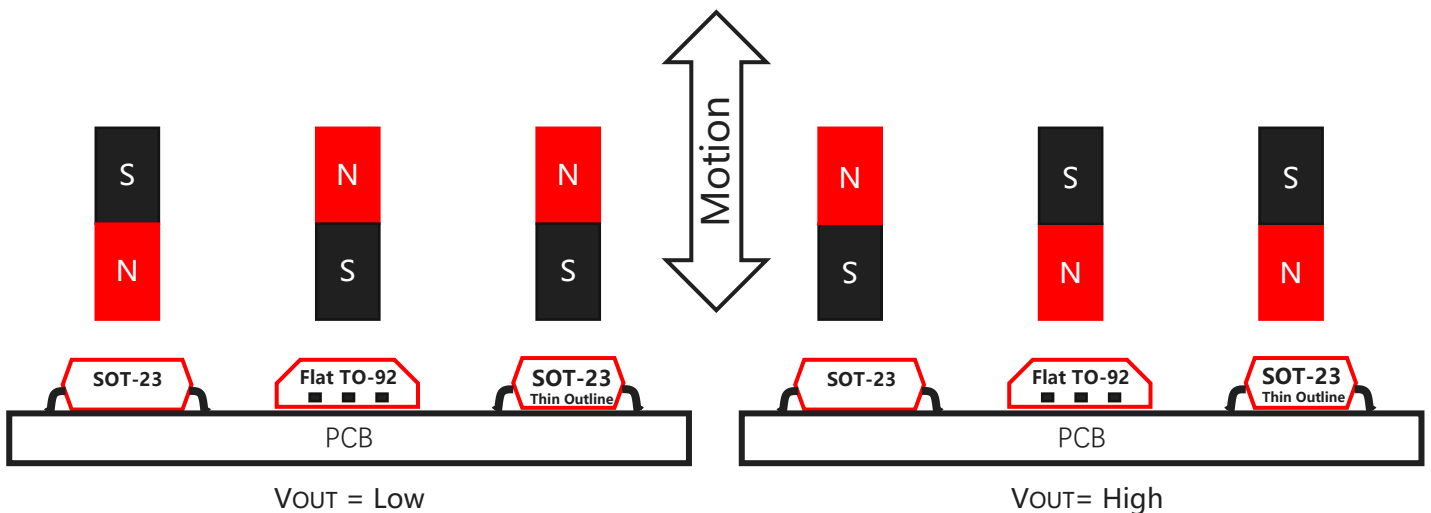


Figure.4 Flux Direction Polarity

9 Functional Block Diagram

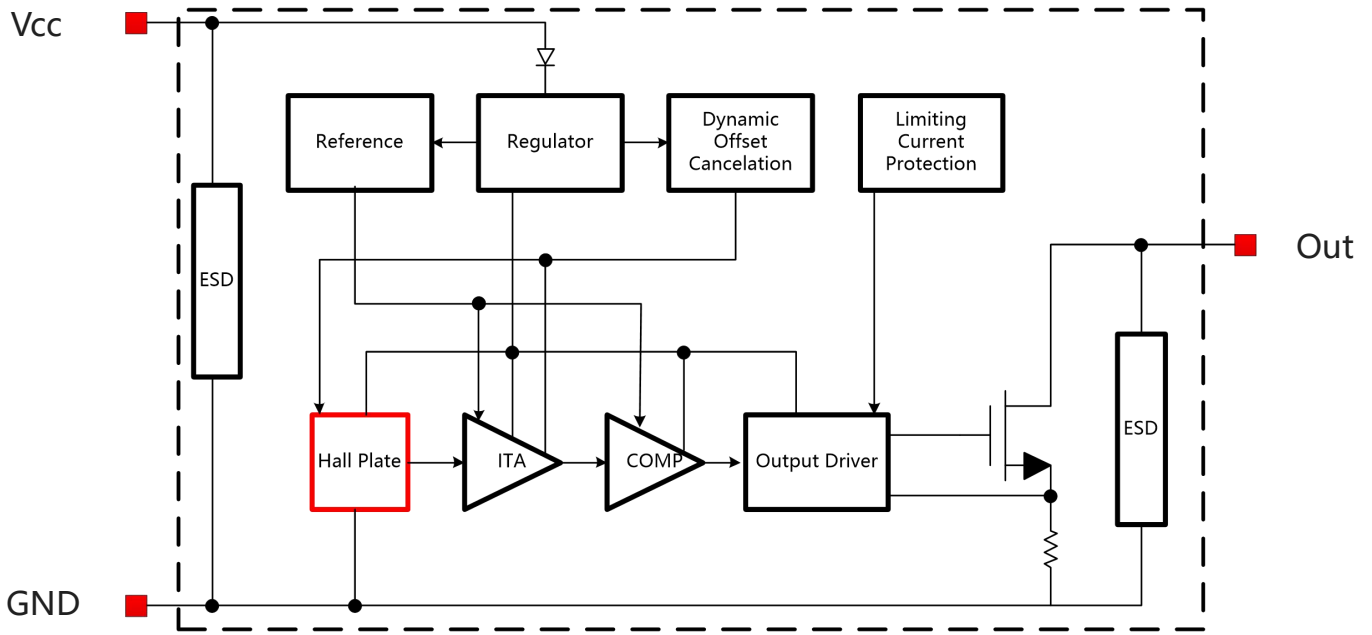


Figure.5 Functional Block Diagram

10 Electrical and Magnetic Characteristics

10.1 Absolute Maximum Ratings

Absolute maximum ratings are limited values to be applied individually, and beyond which the serviceability of the circuit may be impaired. Functional operability is not necessarily implied. Exposure to absolute maximum rating conditions for an extended period of time may affect device reliability.

Symbol	Parameters	Min	Max	Units
VCC	Supply Voltage	-	27	V
V _{RCC}	Reversed Power Supply Protection	-27	-	V
V _{OUT}	Output Voltage	-	27	V
I _{OUT}	Continuous Output Current	-	25	mA
T _A	Operating Ambient Temperature	-40	150	°C
T _S	Storage Temperature	-50	150	°C
T _J	Junction Temperature	-	165	°C
B	Magnetic Flux Density	No Limit		Gs

10.2 Electrical Specifications

At $T_A = -40 \sim 150^\circ\text{C}$, $V_{CC} = 2.4\text{V} \sim 24\text{V}$ (unless otherwise specified)

Symbol	Parameters	Test Condition	Min	Typ	Max	Unit
V_{CC}	Supply Voltage	Operating	2.4	-	24	V
I_{CC}	Supply Current	MT8762, $V_{CC} = 5\text{V}$	-	1.2	-	mA
		MT8763, $V_{CC} = 5\text{V}$	-	0.6	-	mA
I_{AW}	Awake Current	$V_{CC} = 5\text{V}$	-	1.2	-	mA
V_{OL}	Output Low Voltage	$I_{OUT} = 10\text{mA}$, $ B > B_{OP} $	-	-	0.4	V
F_{SW}	Sampling Frequency	MT8762, $V_{CC} = 5\text{V}$	-	100	-	KHz
		MT8763, $V_{CC} = 5\text{V}$	-	15	-	KHz
T_{PO}	Power on Time	$dV_{CC}/dt > 5\text{V}/\mu\text{s}$, $ B > B_{OP} $	-	-	25	μs
R_{TH}	Thermal Resistance of SOT-23		-	301	-	$^\circ\text{C}/\text{W}$
	Thermal Resistance of SOT-23 (Thin Outline)		-	301	-	$^\circ\text{C}/\text{W}$
	Thermal Resistance of TO-92		-	230	-	$^\circ\text{C}/\text{W}$

10.3 Magnetic Characteristics

At $V_{CC} = 2.4\text{V} \sim 24\text{V}$ (unless otherwise specified)

Part No.	Symbol	Min	Typ	Max	Unit
MT8762 Series	BOP, $T_A = 25^\circ\text{C}$	10	20	30	Gs
	BRP, $T_A = 25^\circ\text{C}$	-30	-20	-10	Gs
	BHYST, $T_A = 25^\circ\text{C}$	20	40	60	Gs
MT8763 Series	BOP, $T_A = 25^\circ\text{C}$	10	20	30	Gs
	BRP, $T_A = 25^\circ\text{C}$	-30	-20	-10	Gs
	BHYST, $T_A = 25^\circ\text{C}$	20	40	60	Gs

10.4 ESD Ratings

Symbol	Reference	Values	Unit	
V_{ESD}	Human-body model (HBM)	AEC-Q100-002	± 6000	V
	Charged-device model (CDM)	AEC-Q100-011	± 1000	V

10.5 Characteristic Performance

At $V_{CC}=5V$

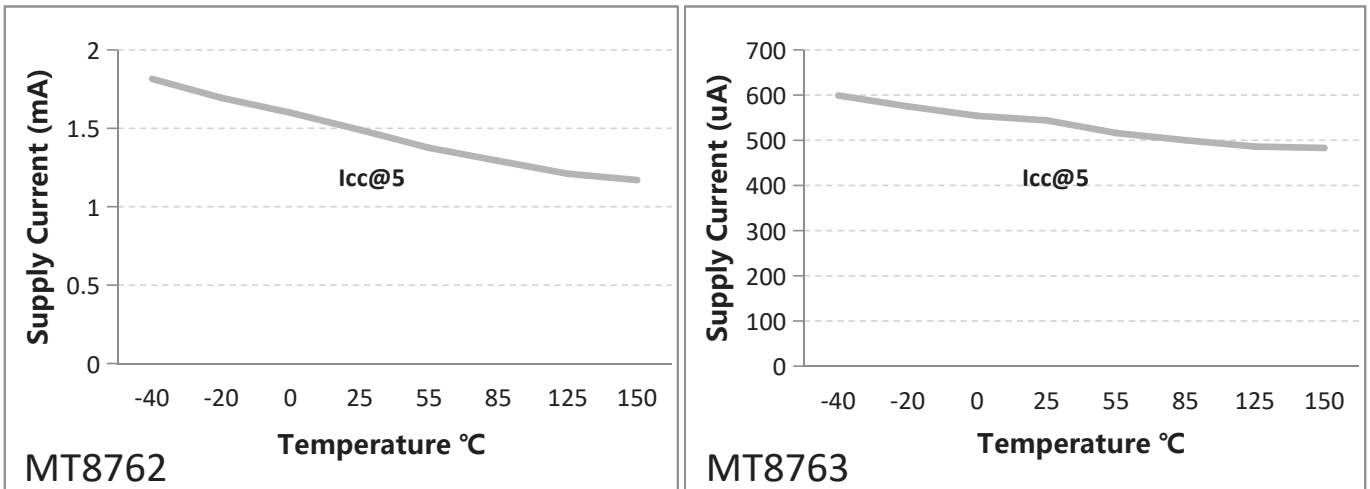


Figure.6 Supply Current vs. Temperature

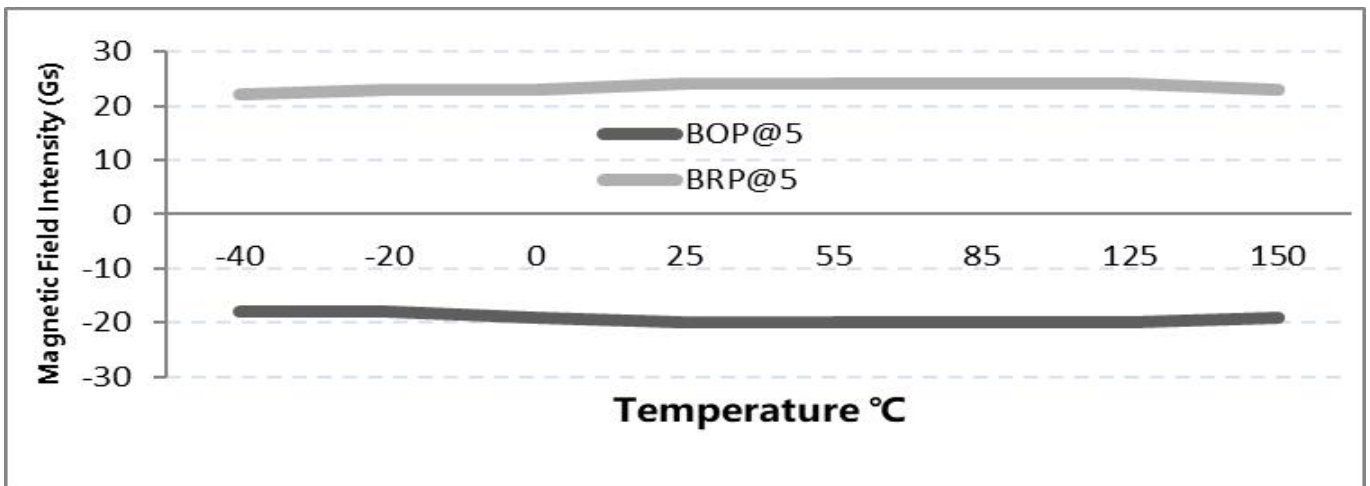


Figure.7 Magnetic Characteristics vs. Temperature (BOP & BRP)

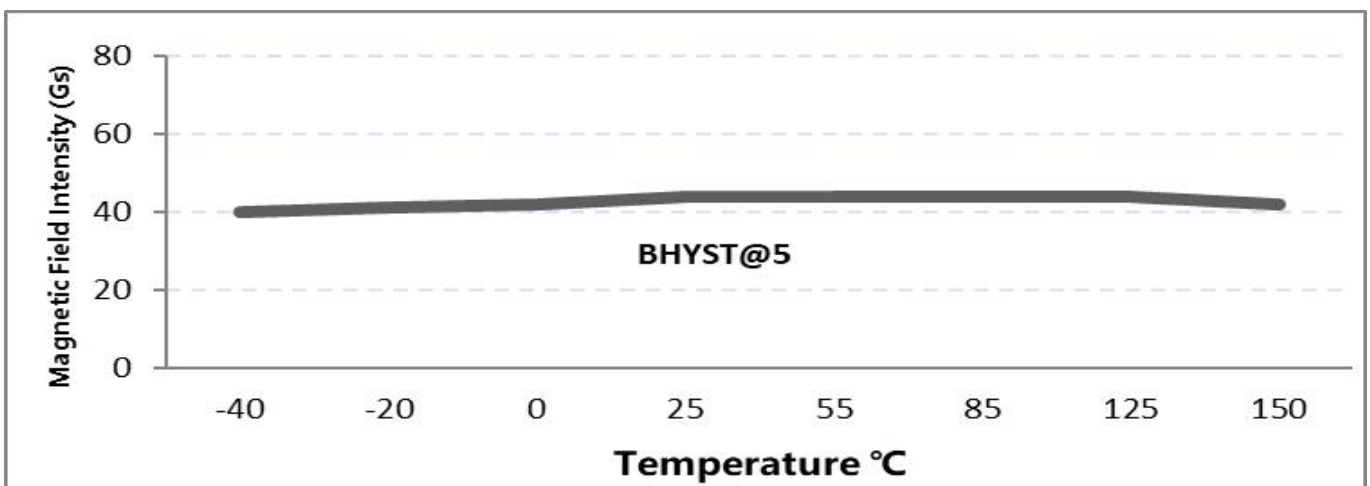


Figure.8 Magnetic Characteristics vs. Temperature (BHYST)

10.6 Typical Output Waveform

MT876XA as example

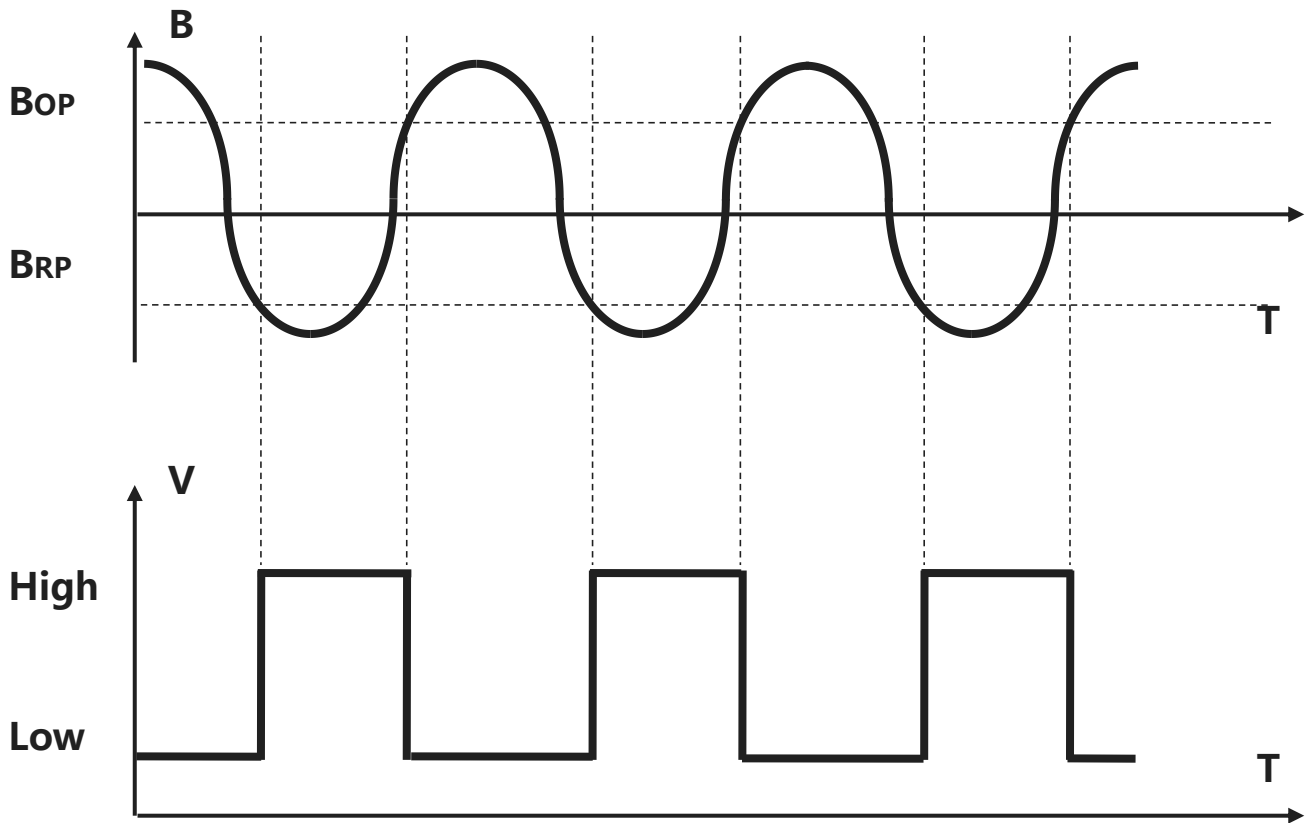


Figure.9 Digital Output vs. Magnetic Flux Density

11 Typical Application Circuit

MT876XAT as example

Note: Recommended value for RL is 4.7KOhms to 10KOhms

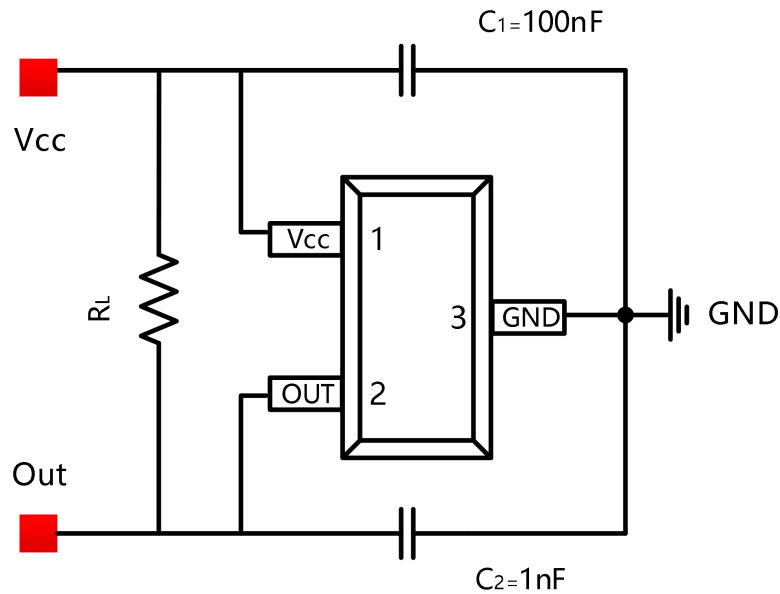


Figure.10 Typical Application Circuit

12 Package Material Information (For Reference Only – Not for Tooling Use)

12.1 SOT-23 Package Information

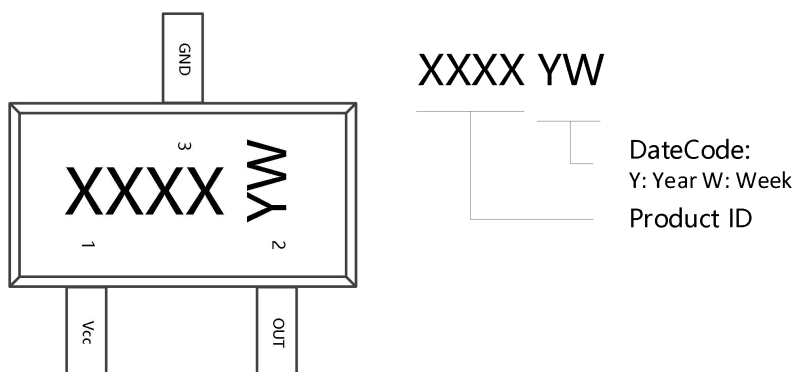


Figure.11 SOT-23 Chip Marking Spec

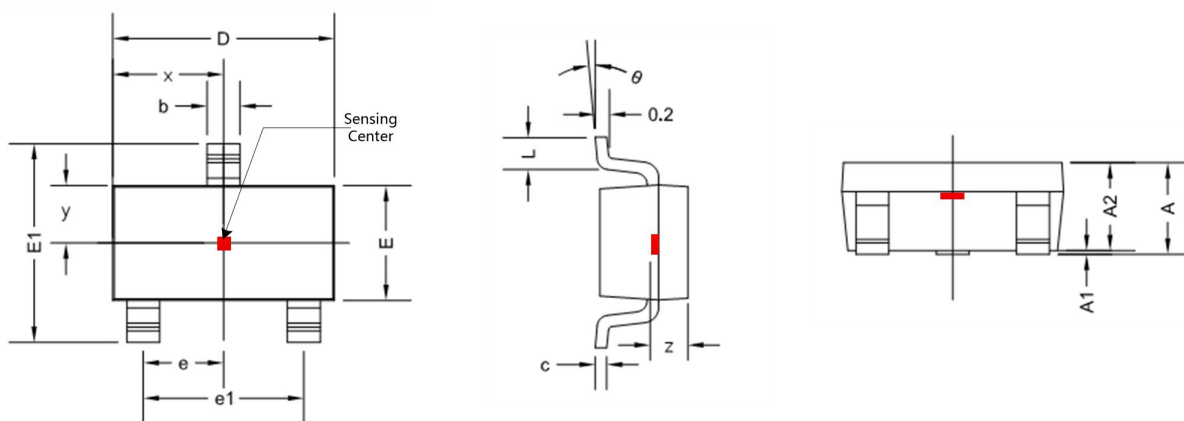


Figure.12 SOT-23 Package Drawing

Symbol	Dimensions in Millimeters		Dimensions in Inches	
	Min	Max	Min	Max
A	1.050	1.300	0.041	0.051
A1	0.000	0.150	0.000	0.006
A2	1.000	1.200	0.039	0.047
b	0.300	0.500	0.012	0.020
c	0.080	0.220	0.003	0.009
D	2.800	3.020	0.110	0.119
E	1.500	1.700	0.059	0.067
E1	2.600	3.000	0.102	0.118
e	0.950 TYP		0.037 TYP	
e1	1.800	2.000	0.071	0.079
L	0.300	0.600	0.012	0.024
θ	0 °	8 °	0 °	8 °
x	1.460 TYP		0.057 TYP	
y	0.800 TYP		0.032 TYP	
z	0.600 TYP		0.024 TYP	

12.2 SOT-23 (Thin Outline) Package Information

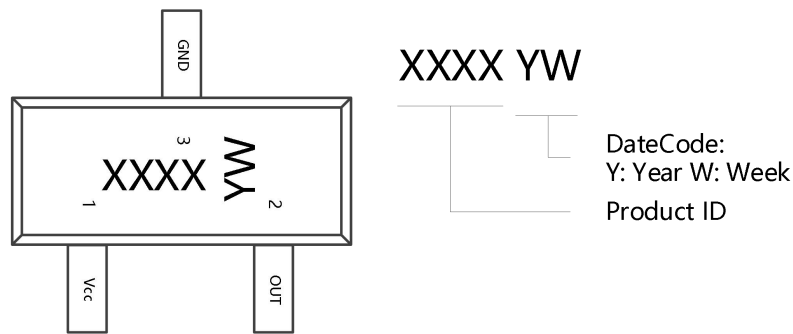


Figure.13 SOT-23 (Thin Outline) Chip Marking Spec

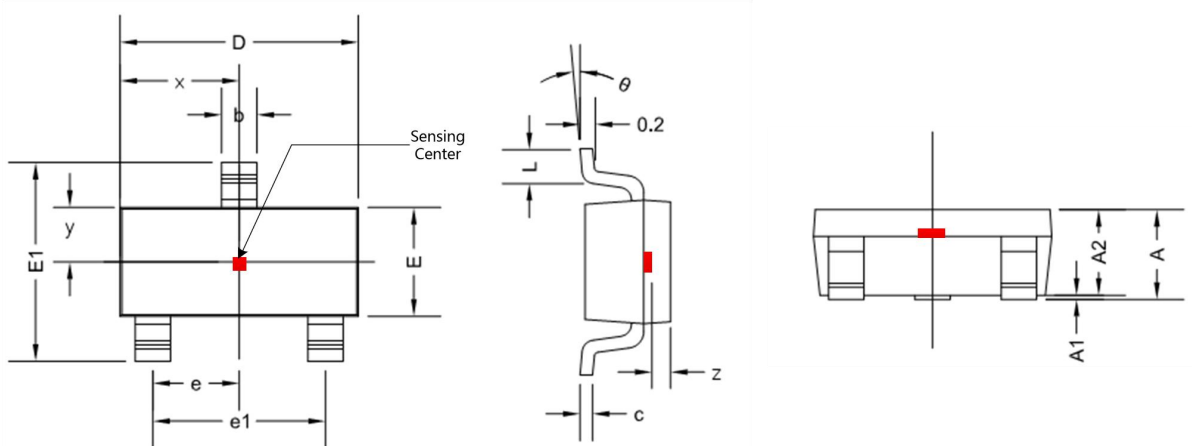


Figure.14 SOT-23 (Thin Outline) Package Drawing

Symbol	Dimensions in Millimeters		Dimensions in Inches	
	Min	Max	Min	Max
A	0.890	1.150	0.035	0.045
A1	0.000	0.100	0.000	0.004
A2	0.880	1.100	0.035	0.043
b	0.300	0.500	0.012	0.020
c	0.080	0.202	0.003	0.008
D	2.800	3.040	0.110	0.120
E1	2.100	2.640	0.083	0.104
E	1.200	1.400	0.048	0.055
e	0.950 TYP		0.037 TYP	
e1	1.800	2.000	0.071	0.079
L	0.300	0.600	0.012	0.236
L1	0.540	0.550	0.021	0.022
θ	0°	8°	0°	8°
x	1.460 TYP		0.057 TYP	
y	0.650 TYP		0.026 TYP	
z	0.500 TYP		0.020 TYP	

12.2 Flat TO-92 Package Information

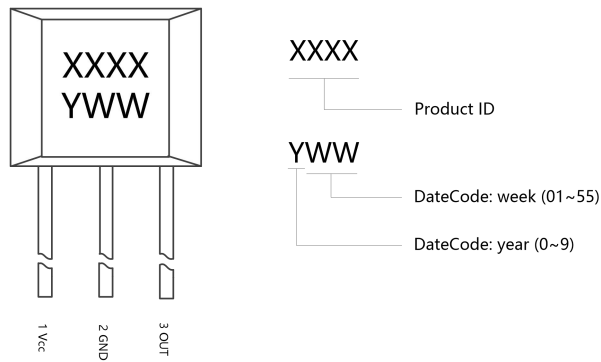


Figure.13 Flat TO-92 Chip Marking Spec

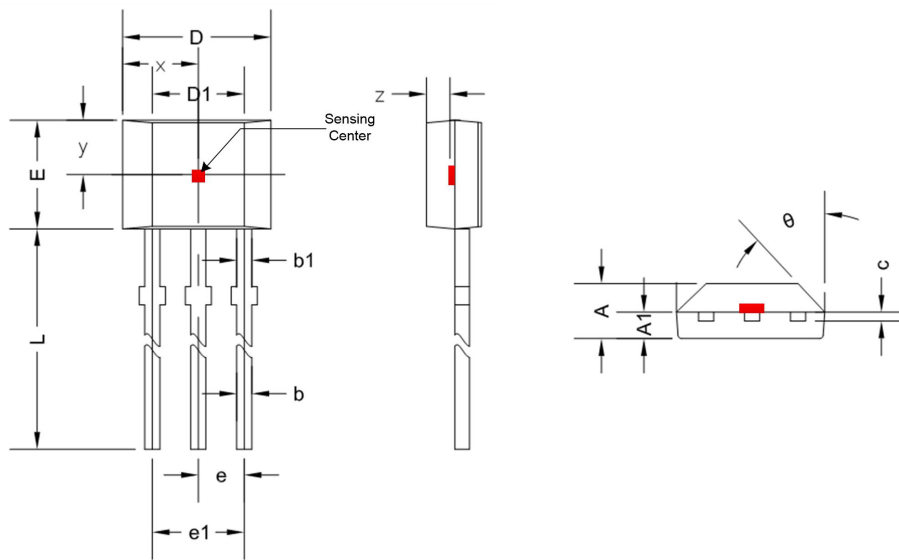


Figure.14 Flat TO-92 Package Drawing

Symbol	Dimensions in Millimeters		Dimensions in Inches	
	Min	Max	Min	Max
A	1.420	1.620	0.056	0.064
A1	0.660	0.910	0.026	0.036
b	0.330	0.560	0.013	0.022
b1	0.400	0.510	0.016	0.020
c	0.330	0.510	0.013	0.020
D	3.900	4.200	0.154	0.165
D1	2.280	2.680	0.090	0.106
E	2.900	3.280	0.114	0.128
e	1.270 TYP		0.050 TYP	
e1	2.440	2.640	0.096	0.104
L	13.500	16.200	0.531	0.638
θ	45 ° TYP		45 ° TYP	
x	2.025 TYP		0.080 TYP	
y	1.545 TYP		0.061 TYP	
z	0.500 TYP		0.020 TYP	

13 Copy Rights and Disclaimer

1. This document may not be reproduced or duplicated, in any form, in whole or in part without prior written consent of MagnTek . Copyrights © 2019, MagnTek Incorporated.
2. MagnTek reserves the right to make changes to the information published in this document at anytime without notice.
3. MagnTek' s products are limited for use in normal commercial applications. MagnTek' s products are not to be used in any device or system, including but not limited to medical life support equipment and system.

For the latest version of this document, please visit our website: www.magntek.com.cn